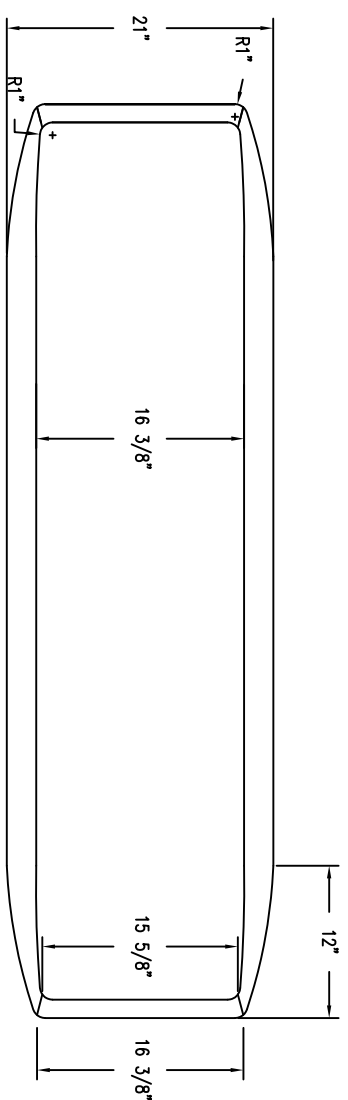
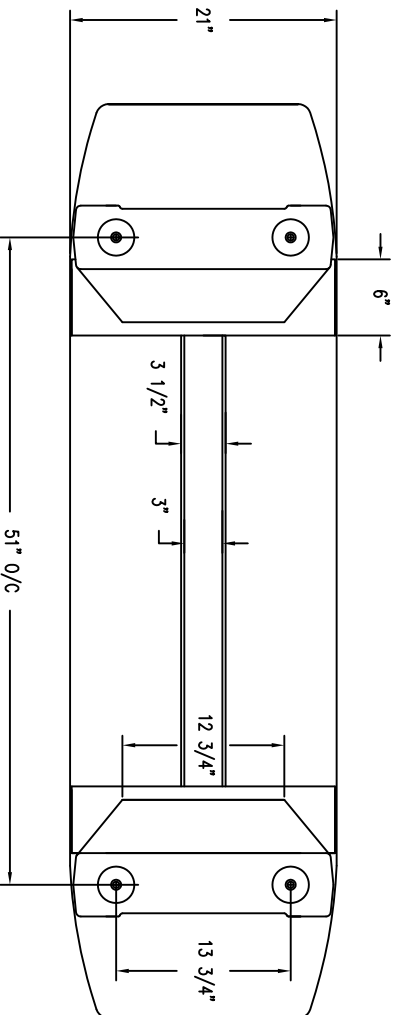


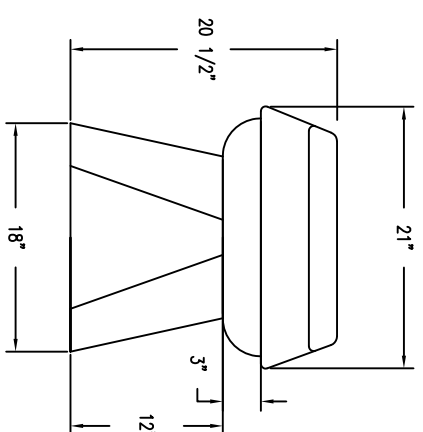
SIDE VIEW BENCH



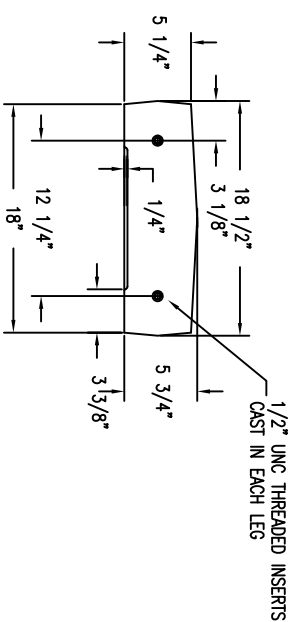
TOP VIEW BENCH



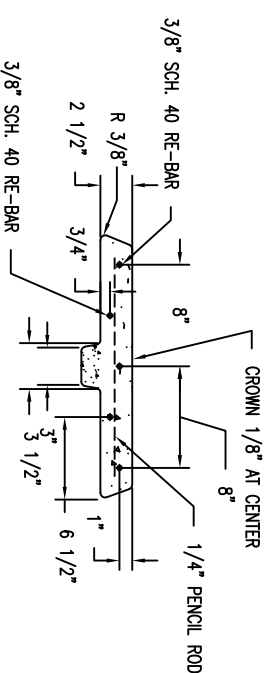
BOTTOM VIEW AND FOOT PRINT



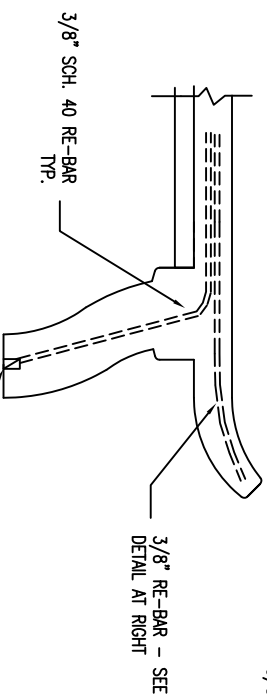
END VIEW BENCH



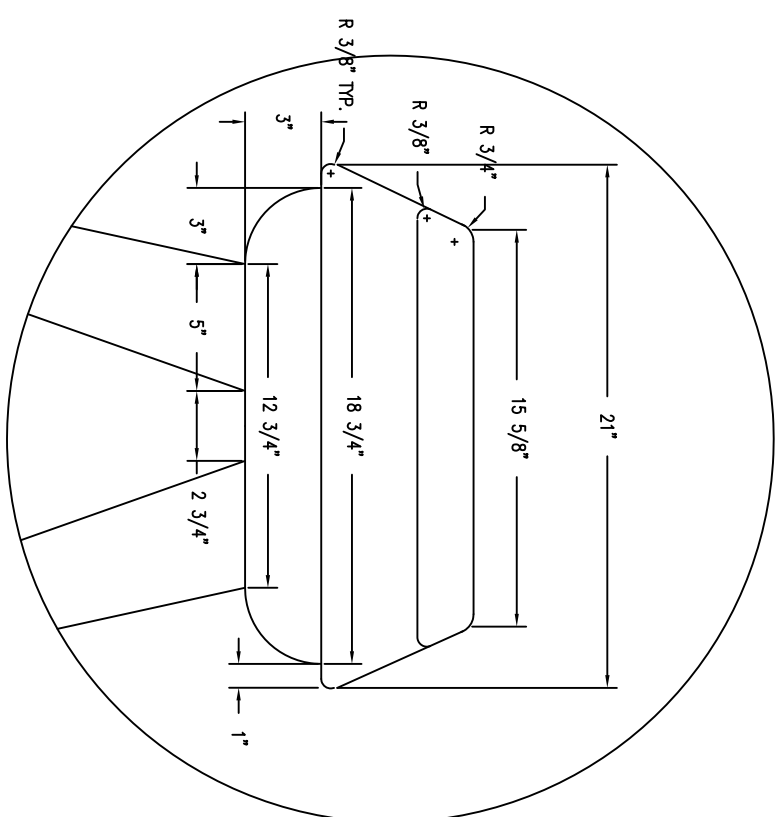
BENCH LEG BOTTOM



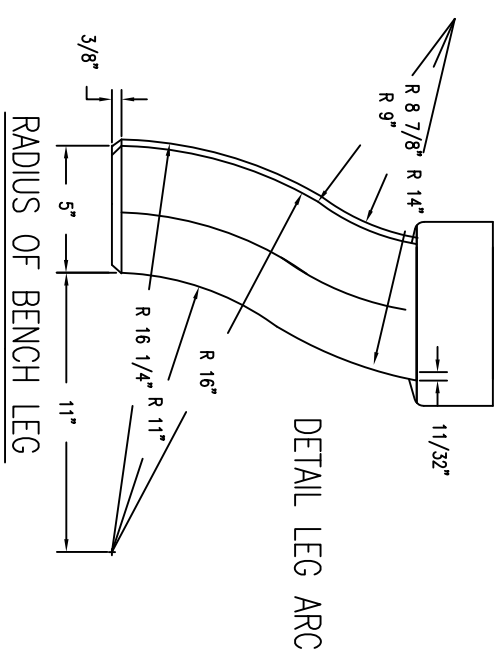
SECTION BENCH DETAIL



DETAIL RE-BAR BENCH LEG



DETAIL END VIEW



RADIUS OF BENCH LEG

ITEM. NO.	DESCRIPTION	PART NO.	QTY.
1	CAST CONCRETE BENCH UNITS		1
2	1/2"-13 UNC THREADED INSERTS CAST IN		4
3			
4			
5			
6			

APPROX. WEIGHT 610#

**CONFIDENTIAL INFORMATION**  
 These drawings, specifications and the other information and documents accompanying them are the confidential and proprietary property of Wausau Tile, Inc. The drawings themselves shall belong to the owner for use only on this project. Any additional use shall require the prior written approval of Wausau Tile, Inc. The proprietary information contained within the drawings and the documents is and shall remain the sole property of Wausau Tile, Inc.

Terra-Form Products				Terra-Paving Products				Precast Products			
<b>MAUSAU TILE</b>											
P.O. BOX 1520 WAUSAU, WISCONSIN 54981-1520 715/258-3121				P.O. BOX 957 WAUSAU, WISCONSIN 54981-0957				P.O. BOX 639 WAUSAU, WISCONSIN 54981-0639			
REVISIONS				JOB ZEN BENCH TF3032				LOCATION WAUSAU, WI.			
NO.	DATE	BY	NO.	DATE	BY	NO.	DATE	BY	NO.	DATE	BY
1			4								
2			5								
3			6								
DRAWN BY R/JH				DATE 2/9/99				SCALE 1/8" = 1"			
CHKD.				JOB NO.				DWG. NO. 999-2-37			